



Astral S Cylinders



Astral S Cylinders

CYLINDER SECURITY – Attack Resistance

- High breaking and pulling resistance thanks to the Snap resistant cylinder: the steel bi-material core is visible also with the cylinder already installed on the door.
- High bumping (striking) resistance thanks to the BKP (Bump Key Power) device.
- High anti-burglary (impression or wax techniques) resistance thanks to the special configuration of the springs.
- High drill resistance, thanks to the hardened steel key biting system.

KEY RELATED SECURITY

- Bitting system with 10 pins arranged on 2 rows.
- Over 1,600,000 possible combinations (different keys).

MASTER KEYING POTENTIAL

- The 10 pin key bitting system offers excellent access management possibilities. For example: 63,000 different cylinders for one master key.

DURABILITY

- Tested up to 100,000 cycles.

EN 1303:2005

- Compliant with the European Standard EN 1303:2005.
 - Attack resistance: 1 0 1 2
 - Key Related Security: 6 1 2 3 4 5 6
 - Durability: 6 4 5 6
- For armored doors classified 1 to 3 according to the 1627 Standard draft.

CERTIFICATIONS

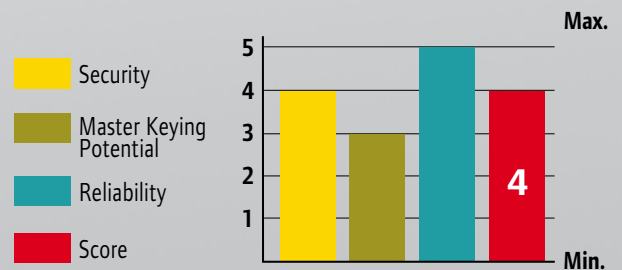
- ICIM EN 1303:05 16010C61 – Europe Certification
- Ghost – Russia Certification.

PATENTS

- Snap Resistant Cylinder: B02003V000006.
- BKP: registered patent.

APPLICATIONS

- Astral S is the ideal product for medium-security applications: residential buildings, armored door manufacturing, shops and small-sized offices.



**Technical features:****CYLINDER:**

- Key biting system: 10 pins (6 active, 4 passive).
- Brass body with segment pack throughout the cylinder length.
- Brass plugs.
- Self-lubricated sintered steel DIN cam.
- Case-hardened steel pins.
- Hardened drivers.
- Phosphor bronze and steel springs.

KEY:

- Flat, non-handed insertion.
- Material: nickel plated brass.
- Numbered key head.
- Thickness: 2.9 mm.
- Depth: 0.48 mm.

Finishes:

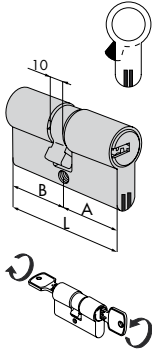
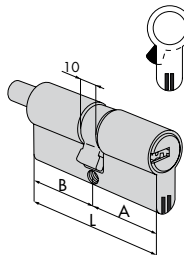
- Standard:
 - ground brass (fin. 00).
- On request:
 - nickel-plated brass (fin. 12)
 - polished brass (fin. 66).

On request:

- KA, MK, GMK, GGMK, CE, CA, C5, CL, CP, PP (CL and CP long neck keys, compatible with protective roses, CP with plastic head insert and customizable key profile).

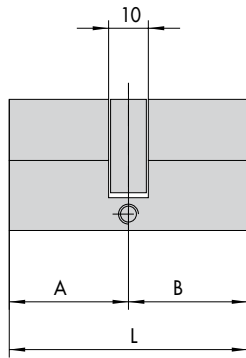
Supplied as standard:

- Fixing screw.
- 3 keys item 1.00620.01.0.
- CODE CARD: enables to obtain true copies of the original key by entering the indirect code printed on the card in an electric duplication machine.
- User and maintenance instructions.

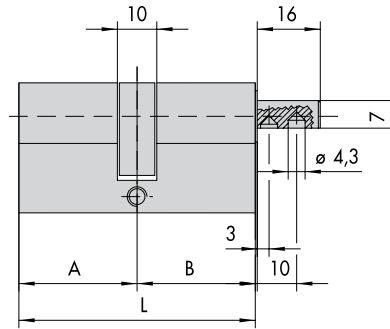
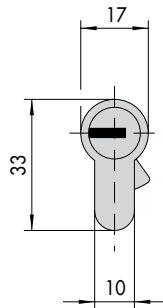
Type	Description	Comm. dim.	L	A	B	Pins	Key item	Kg	Pieces	ITEM				
										Type	Dim.	Hand	Fin.	Pers.
	• Double cylinder with clutch system	30/30	59,0	29,5	29,5	10	1 00620 01 0	0,235	12	1	0A351	07	0	
		28/34	61,2	27,7	33,5	10	1 00620 01 0	0,234	12	1	0A351	06	0	
		28/36	63,2	27,7	35,5	10	1 00620 01 0	0,240	12	1	0A351	09	0	
		30/35	64,0	29,5	34,5	10	1 00620 01 0	0,243	12	1	0A351	26	0	
		33/33	65,0	32,5	32,5	10	1 00620 01 0	0,258	12	1	0A351	10	0	
		35/35	69,0	34,5	34,5	10	1 00620 01 0	0,272	12	1	0A351	13	0	
		40/30	69,0	39,5	29,5	10	1 00620 01 0	0,272	12	1	0A351	12	0	
		28/43	70,2	27,7	42,5	10	1 00620 01 0	0,262	12	1	0A351	11	0	
		30/45	74,0	29,5	44,5	10	1 00620 01 0	0,274	12	1	0A351	27	0	
		35/40	74,0	34,5	39,5	10	1 00620 01 0	0,274	12	1	0A351	28	0	
		30/50	79,0	29,5	49,5	10	1 00620 01 0	0,301	12	1	0A351	17	0	
		35/45	79,0	34,5	44,5	10	1 00620 01 0	0,289	12	1	0A351	19	0	
		40/40	79,0	39,5	39,5	10	1 00620 01 0	0,289	12	1	0A351	18	0	
		30/55	84,0	29,5	54,5	10	1 00620 01 0	0,304	12	1	0A351	33	0	
		35/50	84,0	34,5	49,5	10	1 00620 01 0	0,360	12	1	0A351	31	0	
		40/45	84,0	39,5	45,5	10	1 00620 01 0	0,360	12	1	0A351	30	0	
		43/43	85,0	42,5	42,5	10	1 00620 01 0	0,308	12	1	0A351	46	0	
		30/60	89,0	29,5	59,5	10	1 00620 01 0	0,320	12	1	0A351	20	0	
		35/55	89,0	34,5	54,5	10	1 00620 01 0	0,332	12	1	0A351	32	0	
		40/50	89,0	39,5	49,5	10	1 00620 01 0	0,320	12	1	0A351	21	0	
		45/45	89,0	44,5	44,5	10	1 00620 01 0	0,333	12	1	0A351	29	0	
		30/65	94,0	29,5	64,5	10	1 00620 01 0	0,334	6	1	0A351	41	0	
		35/60	94,0	34,5	59,5	10	1 00620 01 0	0,390	6	1	0A351	38	0	
		40/55	94,0	39,5	54,5	10	1 00620 01 0	0,355	6	1	0A351	42	0	
		45/50	94,0	44,5	49,5	10	1 00620 01 0	0,334	6	1	0A351	39	0	
		30/70	99,0	29,5	69,5	10	1 00620 01 0	0,349	6	1	0A351	24	0	
		35/65	99,0	34,5	64,5	10	1 00620 01 0	0,349	6	1	0A351	22	0	
		40/60	99,0	39,5	59,5	10	1 00620 01 0	0,349	6	1	0A351	25	0	
		45/55	99,0	44,5	54,5	10	1 00620 01 0	0,349	6	1	0A351	43	0	
		50/50	99,0	49,5	49,5	10	1 00620 01 0	0,349	6	1	0A351	23	0	
30/80	109,0	29,5	79,5	10	1 00620 01 0	0,378	6	1	0A351	37	0			
40/70	109,0	39,5	69,5	10	1 00620 01 0	0,400	6	1	0A351	35	0			
50/60	109,0	49,5	59,5	10	1 00620 01 0	0,402	6	1	0A351	36	0			
55/55	109,0	54,5	54,5	10	1 00620 01 0	0,378	6	1	0A351	70	0			
55/60	114,0	54,5	59,5	10	1 00620 01 0	0,420	6	1	0A351	71	0			
60/60	119,0	59,5	59,5	10	1 00620 01 0	0,410	6	1	0A351	40	0			
	• Double cylinder pre-set for thumb turn installation • ON REQUEST: Thumb turn knobs - item 1.06353.00 - item 1.06354.00	30/30	59,0	29,5	29,5	10	1 00620 01 0	0,244	12	1	0A352	07	0	
		30/35	64,0	29,5	34,5	10	1 00620 01 0	0,264	12	1	0A352	26	0	
		35/30	64,0	34,5	29,5	10	1 00620 01 0	0,259	12	1	0A352	81	0	
		33/33	65,0	32,5	32,5	10	1 00620 01 0	0,267	12	1	0A352	10	0	
		30/40	69,0	29,5	39,5	10	1 00620 01 0	0,279	12	1	0A352	82	0	
		35/35	69,0	34,5	34,5	10	1 00620 01 0	0,279	12	1	0A352	13	0	
		40/30	69,0	39,5	29,5	10	1 00620 01 0	0,279	12	1	0A352	12	0	
		35/40	74,0	34,0	39,5	10	1 00620 01 0	0,294	12	1	0A352	28	0	
		40/35	74,0	39,5	34,5	10	1 00620 01 0	0,294	12	1	0A352	83	0	
		30/50	79,0	29,5	49,5	10	1 00620 01 0	0,318	6	1	0A352	17	0	
		35/45	79,0	34,5	44,5	10	1 00620 01 0	0,309	6	1	0A352	19	0	
		40/40	79,0	39,5	39,5	10	1 00620 01 0	0,309	6	1	0A352	18	0	
		45/35	79,0	44,5	34,5	10	1 00620 01 0	0,309	6	1	0A352	85	0	
		40/45	84,0	39,5	44,5	10	1 00620 01 0	0,324	6	1	0A352	30	0	
		45/40	84,0	44,5	39,5	10	1 00620 01 0	0,324	6	1	0A352	84	0	
		50/35	84,0	49,5	34,5	10	1 00620 01 0	0,324	6	1	0A352	94	0	
		43/43	85,0	42,5	42,5	10	1 00620 01 0	0,326	6	1	0A352	46	0	
		30/60	89,0	29,5	59,5	10	1 00620 01 0	0,353	6	1	0A352	20	0	
		40/50	89,0	39,5	49,5	10	1 00620 01 0	0,350	6	1	0A352	21	0	
		45/45	89,0	44,5	44,5	10	1 00620 01 0	0,347	6	1	0A352	29	0	
		40/55	94,0	39,5	54,5	10	1 00620 01 0	0,355	6	1	0A352	42	0	
		55/40	94,0	54,5	39,5	10	1 00620 01 0	0,367	6	1	0A352	98	0	
		45/50	94,0	44,5	49,5	10	1 00620 01 0	0,367	6	1	0A352	39	0	
		40/60	99,0	39,5	59,5	10	1 00620 01 0	0,367	6	1	0A352	25	0	
		45/55	99,0	44,5	54,5	10	1 00620 01 0	0,370	6	1	0A352	43	0	
		50/50	99,0	49,5	49,5	10	1 00620 01 0	0,370	6	1	0A352	23	0	
		45/60	104,0	44,5	59,5	10	1 00620 01 0	0,398	6	1	0A352	54	0	
		55/50	104,0	54,5	49,5	10	1 00620 01 0	0,384	6	1	0A352	64	0	
		30/80	109,0	29,5	79,5	10	1 00620 01 0	0,400	6	1	0A352	37	0	
		40/70	109,0	39,5	69,5	10	1 00620 01 0	0,400	6	1	0A352	35	0	
50/60	109,0	49,5	59,5	10	1 00620 01 0	0,400	6	1	0A352	36	0			
55/55	109,0	54,5	54,5	10	1 00620 01 0	0,400	6	1	0A352	70	0			
60/50	109,0	59,5	49,5	10	1 00620 01 0	0,410	6	1	0A352	89	0			
55/60	114,0	54,5	59,5	10	1 00620 01 0	0,415	6	1	0A352	71	0			
55/65	119,0	54,5	64,5	10	1 00620 01 0	0,430	6	1	0A352	72	0			
60/60	119,0	59,5	59,5	10	1 00620 01 0	0,430	6	1	0A352	40	0			
65/55	119,0	64,5	54,5	10	1 00620 01 0	0,430	6	1	0A352	86	0			

Type	Description	Comm. dim.	L	A	B	Pins	Key item	Unit weight Kg	Pieces Pieces	ITEM					
										Type	Dim.	Hand	Fin.	Pers.	Spec.
	<ul style="list-style-type: none"> • Double cylinder pre-set for adjustable shaft thumb turn installation • To install with protective rose item 1.06458.20 • ON REQUEST: Thumb turn knobs <ul style="list-style-type: none"> - item 1.06353.00 - item 1.06354.00 	30/30	59,0	29,5	29,5	10	1 00620 01 0	0,284	6	1	0A357 07 0				
		35/30	64,0	34,5	29,5	10	1 00620 01 0	0,294	6	1	0A357 81 0				
		40/30	69,0	39,5	29,5	10	1 00620 01 0	0,312	6	1	0A357 12 0				
		45/30	74,0	44,5	29,5	10	1 00620 01 0	0,320	6	1	0A357 91 0				
		50/30	79,0	49,5	29,5	10	1 00620 01 0	0,329	6	1	0A357 90 0				
		55/30	84,0	54,5	29,5	10	1 00620 01 0	0,345	6	1	0A357 92 0				
		60/30	89,0	59,5	29,5	10	1 00620 01 0	0,359	6	1	0A357 87 0				
		70/30	99,0	69,5	29,5	10	1 00620 01 0	0,370	6	1	0A357 88 0				

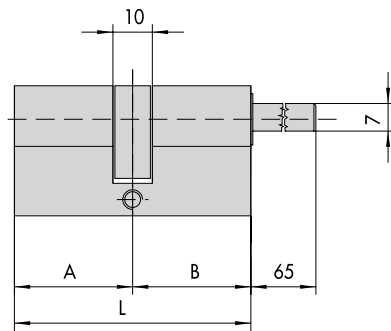
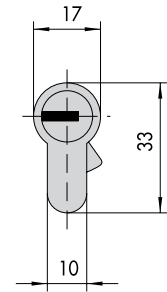
Drawings and Dimensions



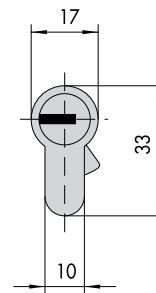
0A3S1



0A3S2



0A3S7



CISA S.p.A. reserves the right to modify the products illustrated in this catalogue without any prior notice. All given measurements are expressed in millimeters

About Allegion

Allegion (NYSE: ALLE) creates peace of mind by pioneering safety and security. As a \$2 billion provider of security solutions for homes and businesses, Allegion employs more than 7,800 people and sells products in more than 120 countries across the world. Allegion comprises 23 global brands, including strategic brands CISA®, Interflex®, LCN®, Schlage® and Von Duprin®. For more, visit allegion.com



BRICARD ■ Briton ■ CISA ■ interflex

CISA SpA
Via Oberdan 42 - 48018 Faenza (RA) Italy
Tel +39 0546 677111 - Fax +39 0546 677150
cisa.vendite@allegion.com
cisa.com - cisahotels.com

@cisalocks



© 2014 Allegion
allegion.com

PDE 610 Edition 2014